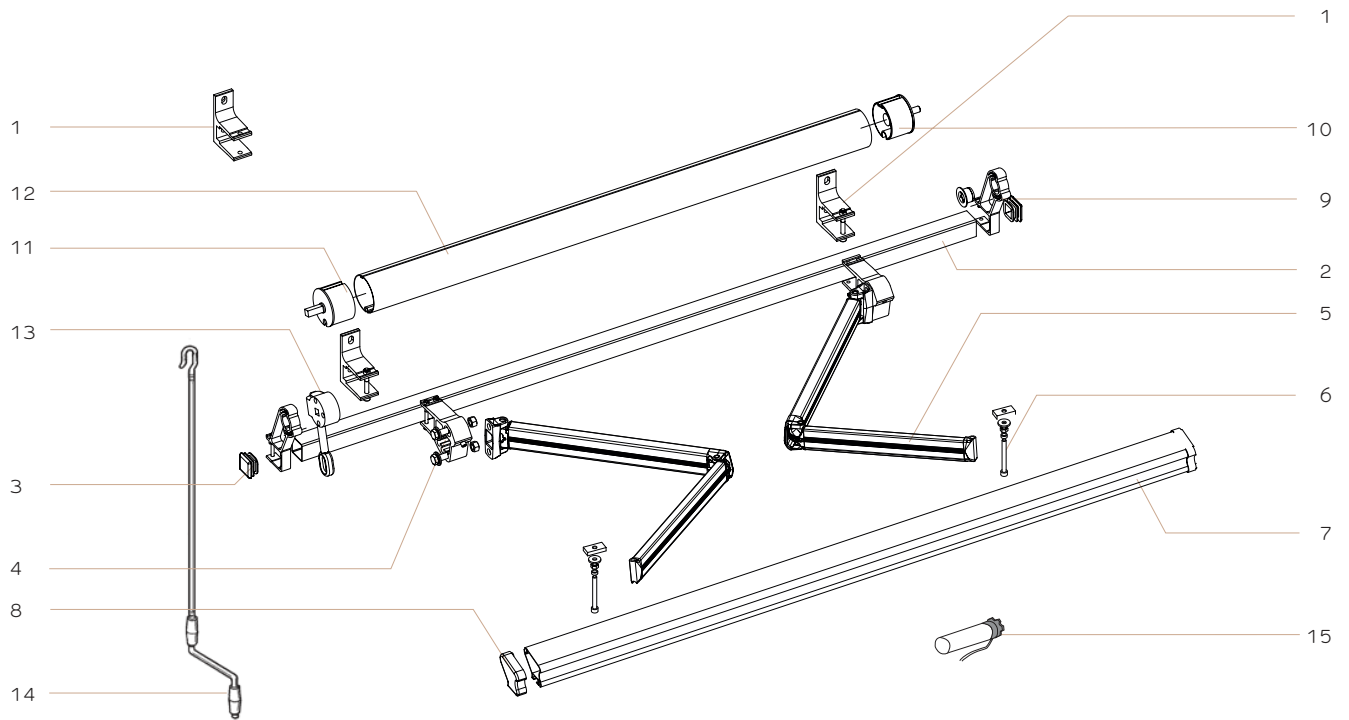
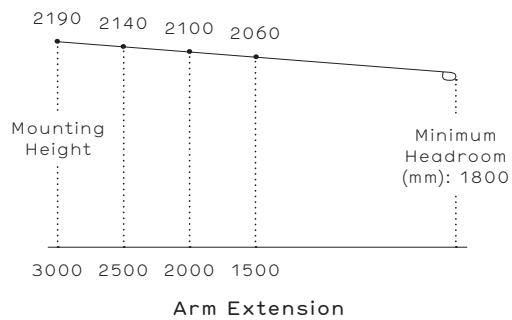


# Ellipse Monobloc



- 1 Face fix bracket
- 2 40 × 40 × 3mm aluminium square bar
- 3 Square end cap
- 4 Adjustable pitch arm bracket
- 5 Arms
- 6 Fall bar hand
- 7 Fall bar – extruded aluminium
- 8 Fall bar endcap
- 9 Roller tube support bracket
- 10 78mm idle end
- 11 78mm drive bearing
- 12 78mm aluminium roller tube
- 13 Gearbox
- 14 Crank handle
- 15 Motor – automation (optional)

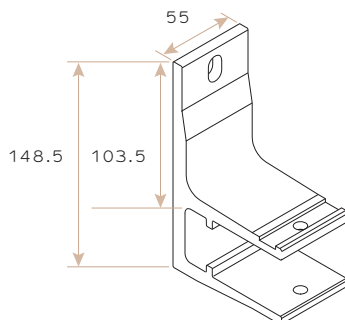
## INSTALLATION HEIGHT REQUIREMENTS (MM)



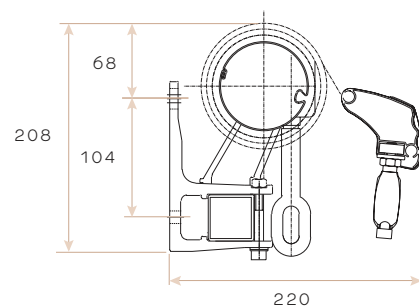
## MINIMUM WIDTH VS PROJECTION (mm)

PROJECTION	GEARBOX	AUTOMATED
1500	2011	1978
2000	2503	2470
2500	3098	3065
3000	3590	3557

## FACE FIX BRACKET (MM)

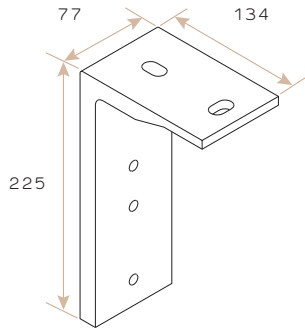


## FACE FIX (MM)

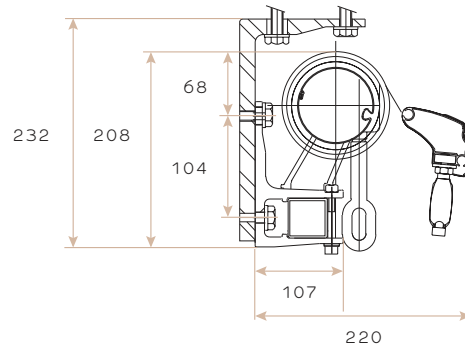


# Ellipse Monobloc

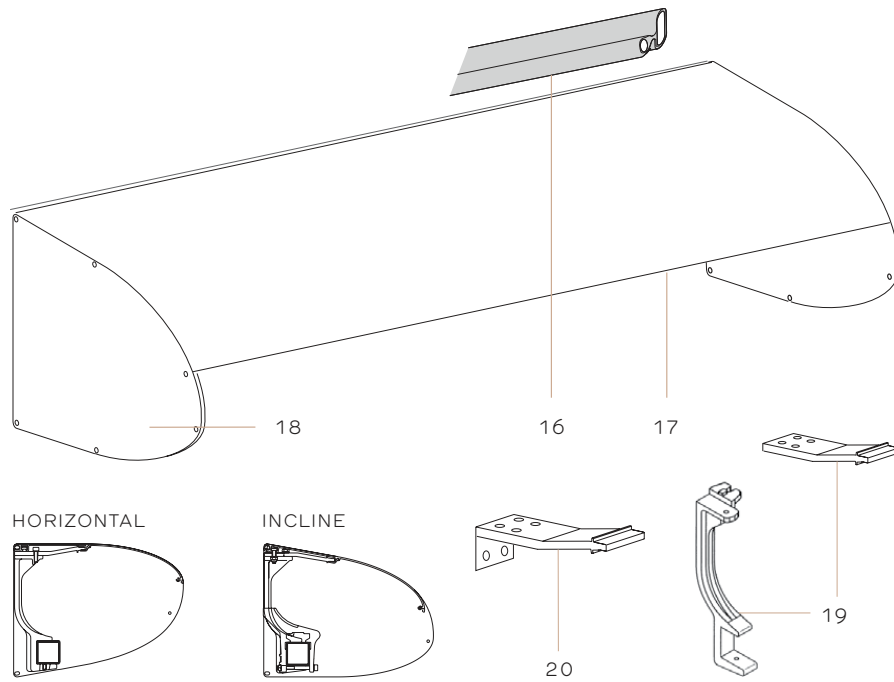
TOP FIX BRACKET (mm)



SOFFIT / TOP FIX (mm)



HOOD



- 16 Hood weather seal
- 17 Aluminum hood
- 18 Aluminium hood end plates
- 19 Hood bracket fixed to square tube
- 20 Hood wall bracket

