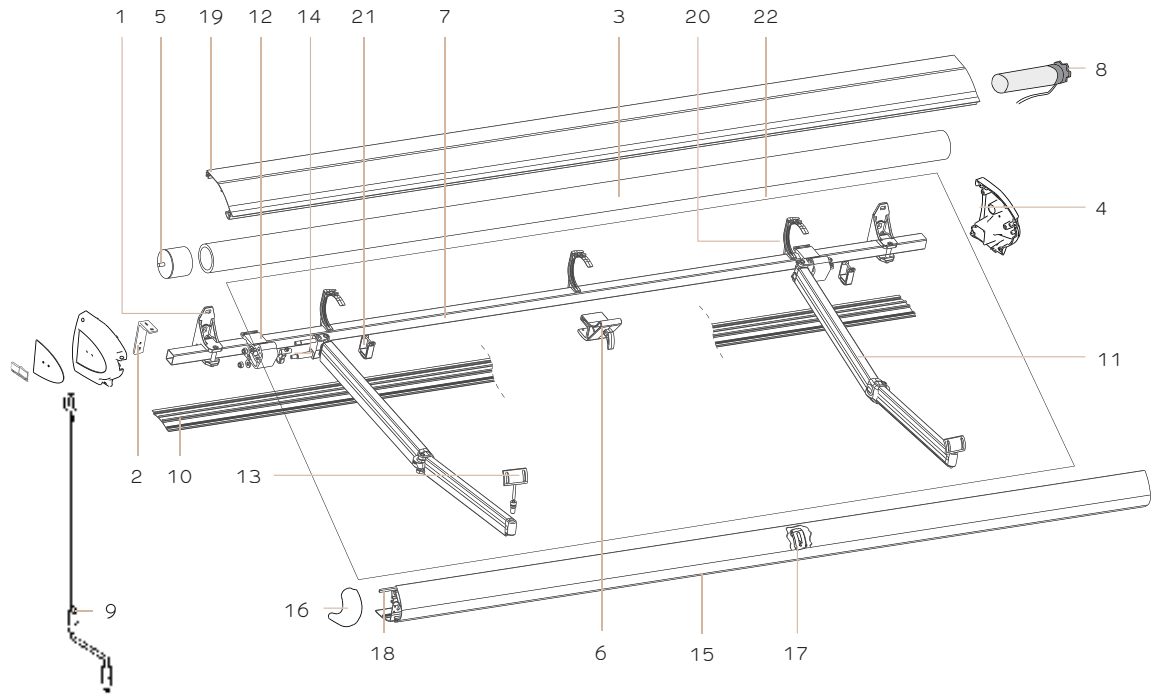
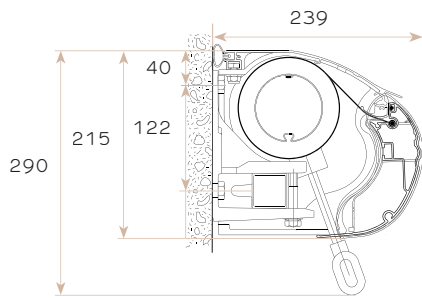


Fetuna Cassette

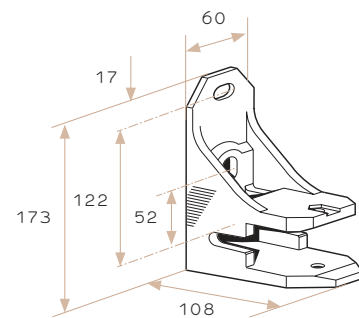


- 1 Face fix bracket
- 2 Soffit / top fix
- 3 78mm aluminium roller tube
- 4 Cassette end plates – aluminium
- 5 78mm cast aluminium drive bearing
- 6 Centre roller tube support
- 7 40 × 40 × 4mm aluminium square bar
- 8 Motor – automation
- 9 Crank handle
- 10 Bottom cassette extrusion
- 11 Arms
- 12 Adjustable pitch arm bracket
- 13 Fall bar hand
- 14 Pitch adjustment bracket
- 15 Fall bar – extruded aluminium
- 16 Fall bar endcap
- 17 Centre cam
- 18 Weather seal
- 19 Top cassette – extruded aluminium
- 20 Cassette support brackets
- 21 Bottom cassette bracket
- 22 Fabric skin

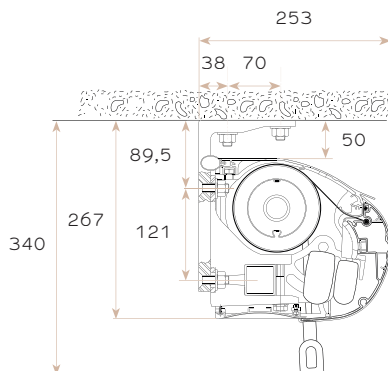
FACE FIX (mm)



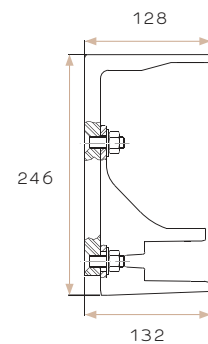
FACE FIX BRACKET (mm)



SOFFIT / TOP FIX (mm)

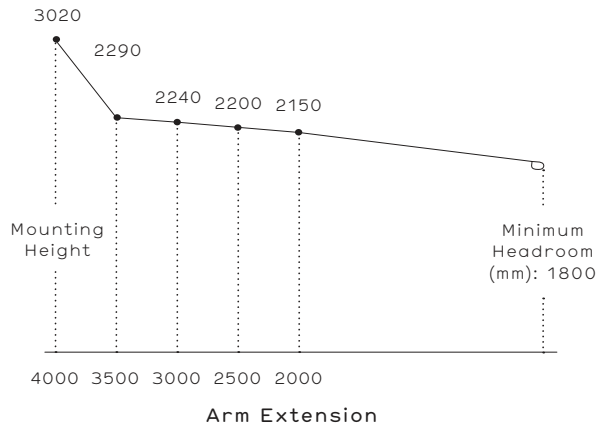


SOFFIT / TOP FIX BRACKET (mm)



Fetuna Cassette

INSTALLATION HEIGHT REQUIREMENTS (mm)



MINIMUM WIDTH VS PROJECTION AWNING WIDTH (MM)

	2 ARMS	3 ARMS
PROJECTION		
2000	2487	5961
2500	3017	5961
3000	3509	6027
3500	4157	6517
4000	4737	—

