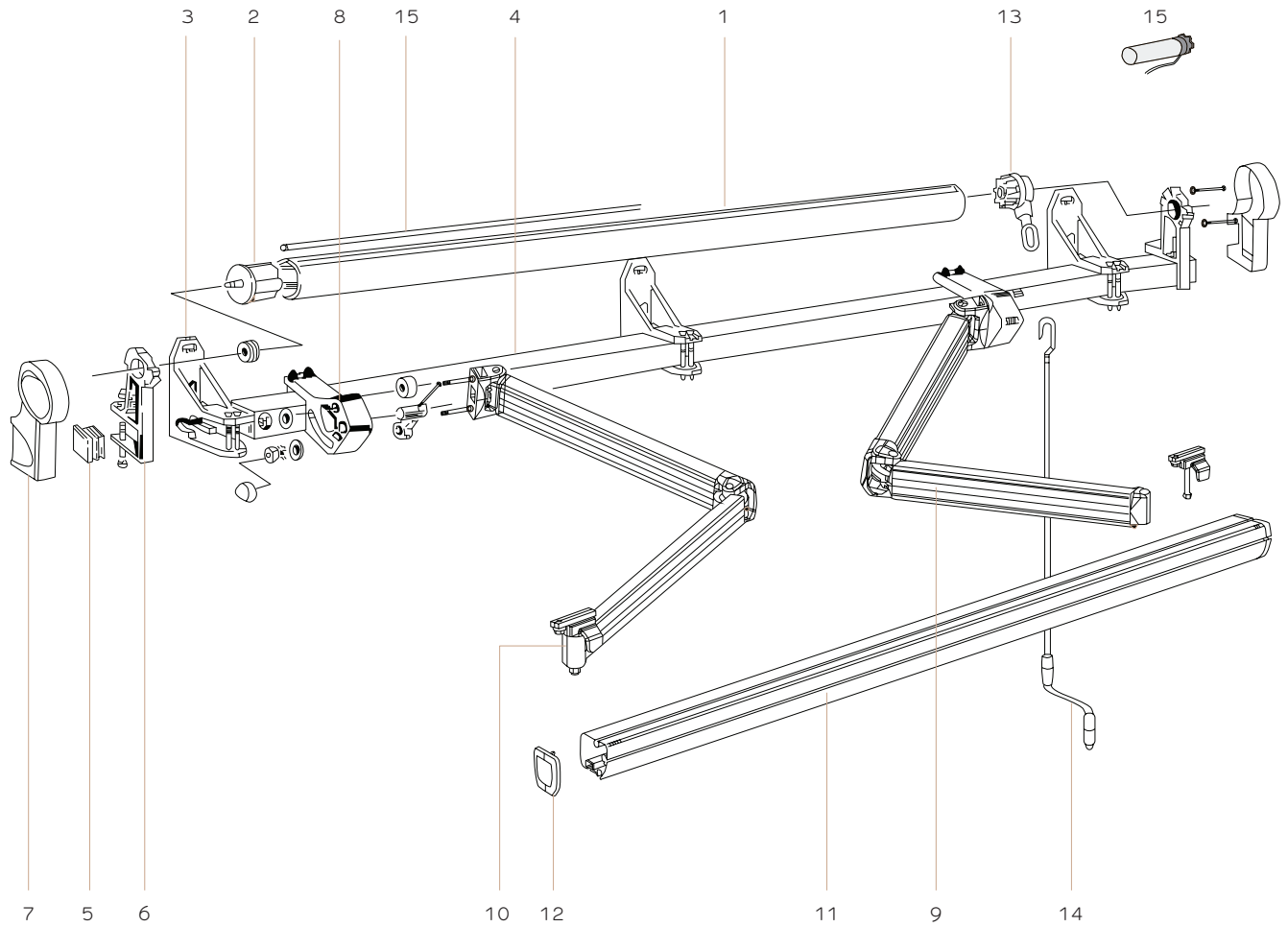


# Horizon Monobloc



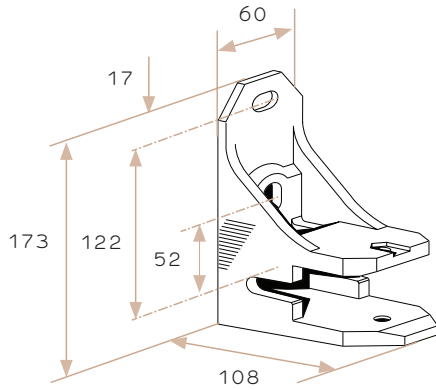
- 1 78mm aluminium roller tube
- 2 78mm cast aluminium drive bearing
- 3 Face fix bracket
- 4 40 × 40 × 4mm aluminium square bar
- 5 Square bar endcap
- 6 Roller tube support bracket
- 7 Roller tube support cover (optional)
- 8 Adjustable pitch arm bracket
- 9 Arms
- 10 Fall bar hand
- 11 Fall bar – extruded aluminium
- 12 Fall bar endcap
- 13 Gearbox (7:1 or 13:1)
- 14 Crank handle
- 15 Motor – automation (optional)

## MINIMUM WIDTH VS PROJECTION AWNING WIDTH (mm)

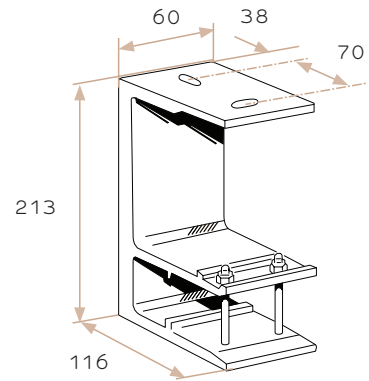
| PROJECTION | 2 ARMS  |       | 3 ARMS  |       | 4 ARMS  |       | 6 ARMS  |       |
|------------|---------|-------|---------|-------|---------|-------|---------|-------|
|            | GEARBOX | MOTOR | GEARBOX | MOTOR | GEARBOX | MOTOR | GEARBOX | MOTOR |
| 1500       | 1948    | 1888  | —       | —     | 3946    | 3886  | 5934    | 5874  |
| 2000       | 2440    | 2380  | —       | —     | 4930    | 4870  | 7410    | 7350  |
| 2500       | 2972    | 2912  | 4433    | 4373  | 5994    | 5934  | 9006    | 8946  |
| 3000       | 3464    | 3404  | 5171    | 5111  | 6978    | 6918  | 10482   | 10422 |
| 3500       | 4114    | 4054  | 6066    | 6006  | 8118    | 8058  | 12112   | 12052 |
| 4000       | 4694    | 4634  | —       | —     | 9278    | 9218  | 13852   | 13792 |

# Horizon Monobloc

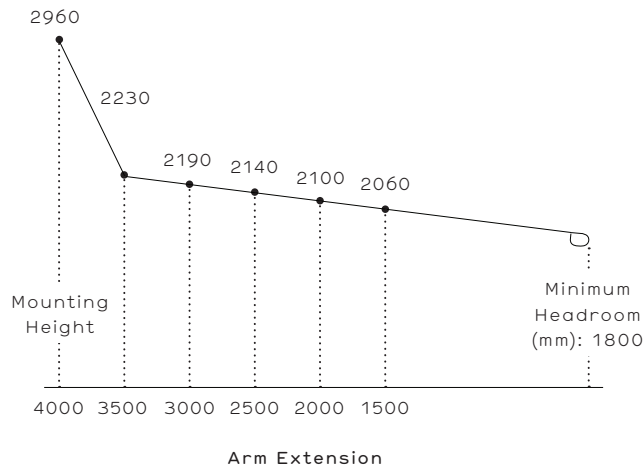
FACE FIX BRACKET (mm)



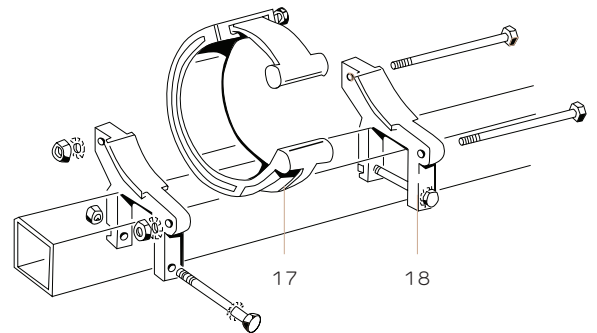
SOFFIT / TOP FIX BRACKET (mm)



INSTALLATION HEIGHT REQUIREMENTS (mm)



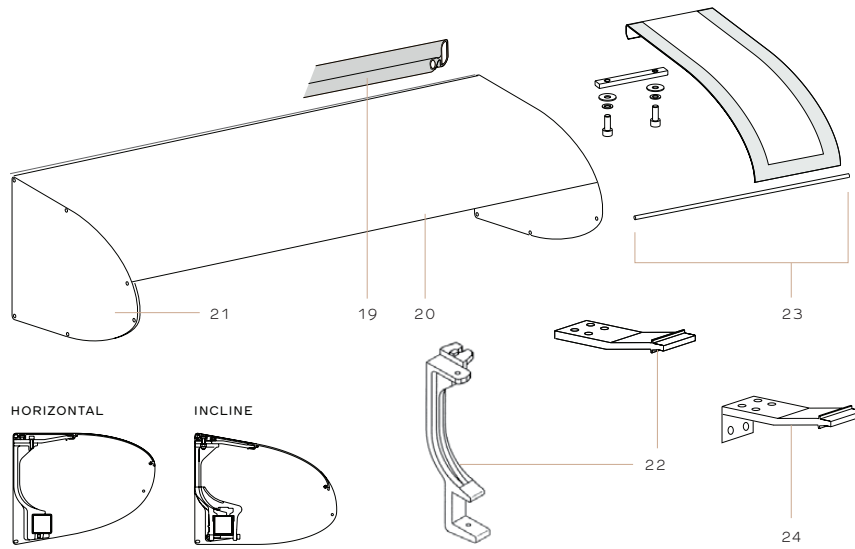
CENTRE ROLLER SUPPORT TUBE



- 17 Stainless steel centre roller tube support
- 18 Cast aluminium centre roller tube support bracket

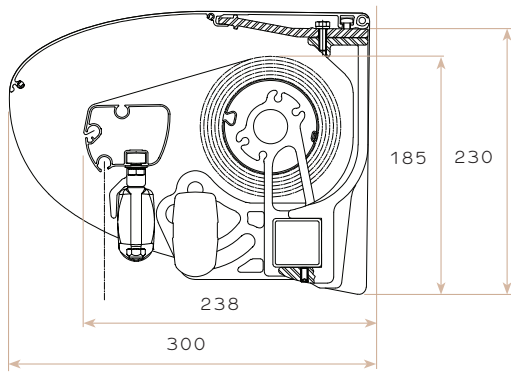
# Horizon Monobloc

## HOOD



- 19 Hood weather seal
- 20 Aluminum hood
- 21 Aluminium hood end plates
- 22 Hood bracket fixed to square tube
- 23 Hood joiner, threaded rod and washers
- 24 Hood wall bracket

### HORIZONTAL ORIENTATION (mm)



### INCLINE ORIENTATION (mm)

