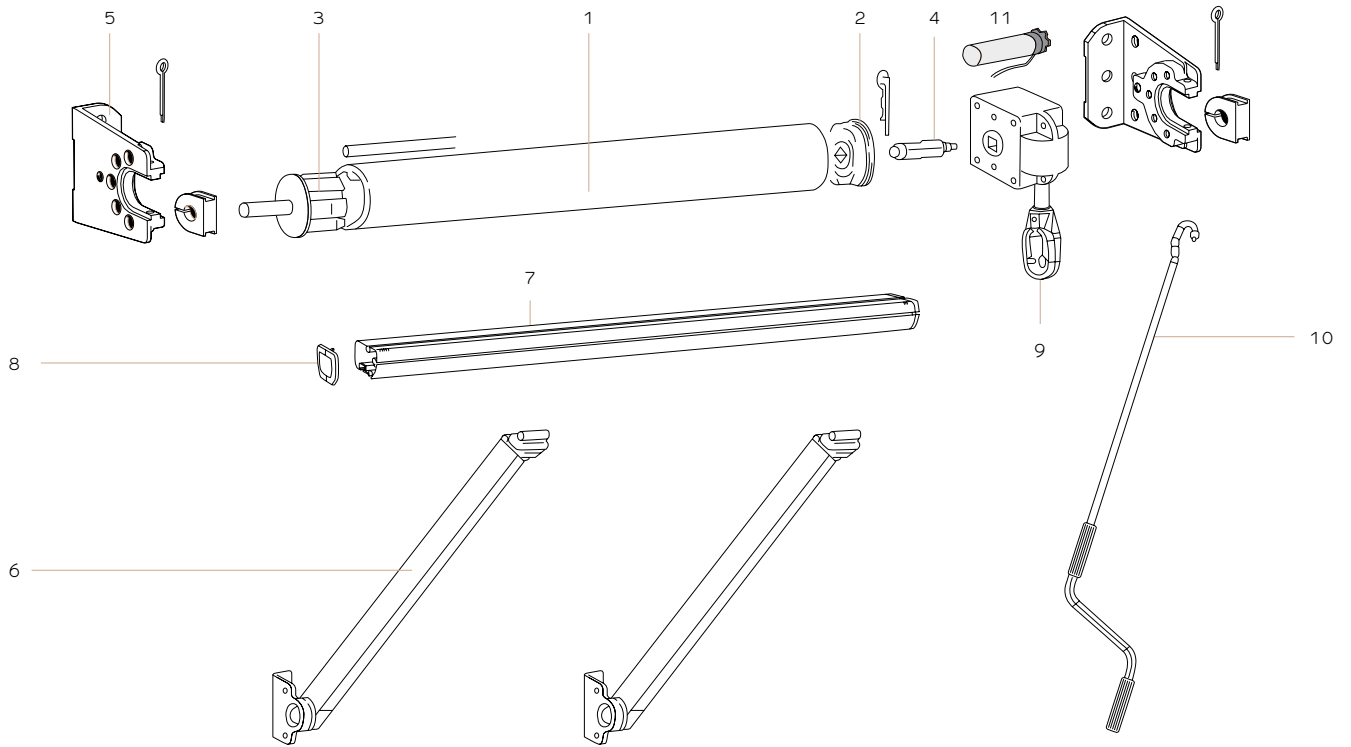
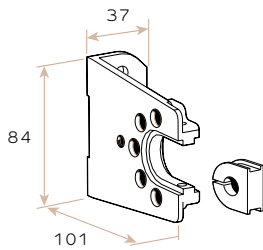


# Vertigo Window Awning

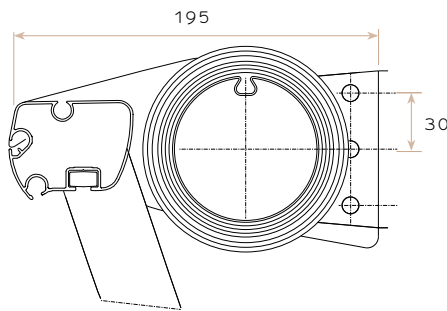


- 1 78mm aluminium roller tube   2 Drive bearing – cast aluminium   3 Idle end   4 Square shaft – stainless steel
- 5 Mounting brackets – cast aluminium   6 Spring loaded arm   7 Fall bar – extruded aluminium   8 Fall bar endcap
- 9 Gearbox (7:1 or 13:1)   10 Crank handle   11 Motor - automation

**MOUNTING BRACKET  
FACE FIX (mm)**



**PROFILE VIEW (MM)**



**GEARBOX 7:1 (mm)**

