

CONTROL OPTIONS

Manual



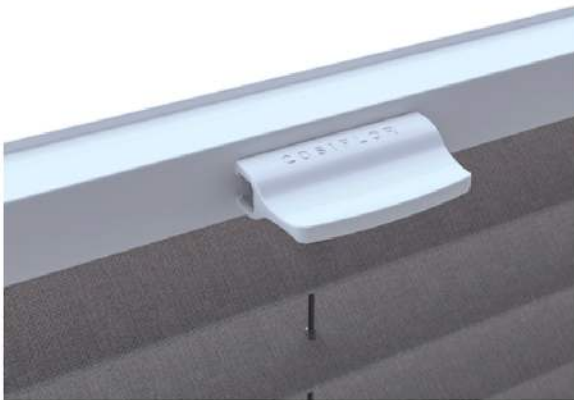
Adjusting the blind using cord or chain mechanisms

Automated



Operated via a remote control or wall switch (Somfy or Galaxy)

Manual (with handle)



If blind is located higher off the ground - can be operated with a special control rod

Manual (with cardan stick)



For PLK systems - ceiling and conservatory blinds that are difficult to reach manually

CONTROL STICK OPTIONS



Standard Control Stick
can be used together with handle operated blinds (VS, PL systems)



Flexi Control Stick
can be used together with handle operated blinds (VS, PL systems)

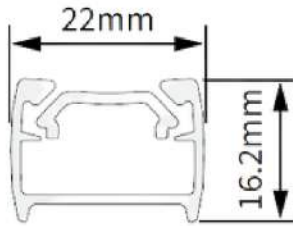


Hinge Joint Control Stick
used for skylight (Velux) blind systems (DF Comfort Lux)



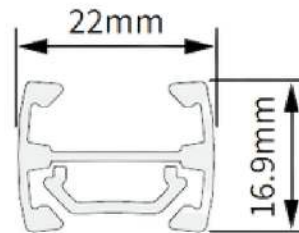
Cardan Control Stick
used for PLK systems - ceiling and conservatory blinds that are difficult to reach manually

RAIL TYPES



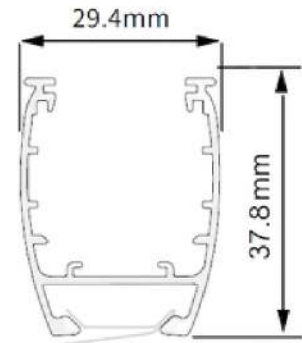
One Channel

Used in system VS2 and other systems in a combination with a two-channel rail



Two Channel

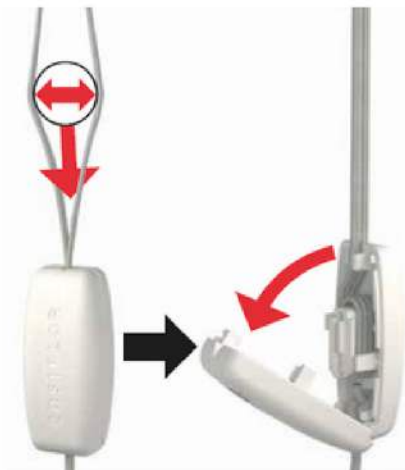
Used in the majority of systems, separately or together with one-channels and high rails



High Rail

Used in chain-operated, cardan and automated systems

CHILD SAFETY



All blinds with **cord control** can be enhanced with a safety feature. This feature, called the "Child Safety Cord Winder," automatically activates when the cord is extended up to 60mm and under a pressure of 6kg. Once activated, you can easily retract the blinds to their original position.



Blinds with **chain control** can be also equipped with a safety mechanism. It activates when a load over 6kg is applied to the chain. The mechanism (guide wheel) can be easily reset to its original position.

COMPONENTS COLOUR OPTIONS

White



VS 1, VST 1, VS 2, VS 2 Outside Fit
VS 3, VST 3, VS 3.1, VST 3.1
VS 4 Slope, VST 4 Slope, VS 5, VS 6,
VS 8,
F 1, FT 1, F 2, FT 2, F 3, F 5, FT 5,
F 4, FT 4, FE, FTE,
F Slope 1, F Slope 2, F Slope 3,
PL 11,
PLE 12, PLK 13, PLE 30, PLE 31
SR 1, SR 2, SR 2.1, SR 4, SR 6,
SR 7 Outside Fit, SR 3 «OK», SD 2,
SD 3
DF Comfort LUX 20,
DF Comfort LUX 30

Charcoal



VS 1, VST 1, VS 2, VS 2 Outside Fit
VS 3, VST 3, VS 3.1, VST 3.1
VS 4 Slope, VST 4 Slope, VS 5, VS 6,
VS 8,
F 1, FT 1, F 2, FT 2, F 3, F 5, FT 5,
F 4, FT 4, FE, FTE,
F Slope 1, F Slope 2, F Slope 3,
PL 11,
PLE 12, PLK 13, PLE 30, PLE 31
SR 1, SR 2, SR 2.1, SR 4, SR 6,
SR 7 Outside Fit, SR 3 «OK», SD 2,
SD 3

Silver



VS 1, VST 1, VS 2, VS 2 Outside Fit
VS 3, VST 3, VS 3.1, VST 3.1
VS 4 Slope, VST 4 Slope, VS 5, VS 6,
VS 8,
F 1, FT 1, F 2, FT 2, F 3, F 5, FT 5,
F 4, FT 4, FE, FTE,
F Slope 1, F Slope 2, F Slope 3,
PL 11,
PLE 12, PLK 13, PLE 30, PLE 31
SR 1, SR 2, SR 2.1, SR 4, SR 6,
SR 7 Outside Fit, SR 3 «OK», SD 2,
SD 3

Dark Chocolate



VS 1, VST 1, VS 2, VS 2 Outside Fit
VS 3, VST 3, VS 3.1, VST 3.1
VS 4 Slope, VST 4 Slope, VS 5, VS 6,
VS 8,
F 1, FT 1, F 2, FT 2, F 3, F 5, FT 5,
F 4, FT 4, FE, FTE,
F Slope 1, F Slope 2, F Slope 3,
PL 11,
PLE 12, PLK 13, PLE 30, PLE 31
SR 1, SR 2, SR 2.1, SR 4, SR 6,
SR 7 Outside Fit, SR 3 «OK», SD 2,
SD 3

Grey



DF Comfort LUX 20,
DF Comfort LUX 30

Bronze



VS 1, VST 1, VS 2, VS 2 Outside Fit VS 3,
VST 3, VS 3.1, VST 3.1
VS 4 Slope, VST 4 Slope, VS 5, VS 6,
VS 8,
F 1, FT 1, F 2, FT 2, F 3, F 5, FT 5,
F Slope 1, F Slope 2, F Slope 3,
PL 11,
SR 1, SR 2, SR 2.1, SR 4, SR 6,
SR 7 Outside Fit, SR 3 «OK», SD 2,
SD 3

The main plastic parts (caps, control handles, tension blocks) match the colour of the cornices perfectly. Some less popular parts are available in only three or four colours.

Exceptions for the bronze colour:

For systems with cord control in bronze, the wall anchors for cords are dark chocolate.

In the F Slope 2 system, the corner connecting hinge is black.

For the ceiling system PL 11, the mounting profile and its fastening elements are brown.

Certain mounting elements, such as the bracket-clamp, mounting plate, non-drilling bracket with clamp, and some others are not available in bronze.

FABRIC OPTIONS FOR PLEATED BLIND SYSTEMS

Fabric Series	Fabric Type	Opacity	Number of Colours	Price Category	Colours on Website
Vivid Blockout	BO	100%	13	5	Y
Trinity Blockout	BO	100%	7	4	Y
Papyrus	LF	50%	4	4	N
Allegro	LF	50%	13	1	Y
Lyon	LF	25%	8	0	Y
Alaska	LF	50%	3	3	Y
Laura	LF	25%	10	1	Y
Paloma	LF	25%	7	2	Y
Barcelona	LF	25%	4	2	Y
Trinity Pearlized	LF / Dim Out	75%	16	1	Y
Lyon Pearlized	LF	50%	6	1	Y
Sonata	LF	20%	2	1	N
Diamond	LF	50% / 75%	7	2	Y
Diamond Blockout	BO	100%	1	5	N
Sicily Pearlized	LF	50%	6	2	Y
English Manor	LF	20%	5	2	Y
Millenium Pearlized	LF / Dim Out	75%	7	3	N
Safari Pearlized	LF / Dim Out	75%	4	3	Y
Jazz Pearlized	LF	50%	14	4	Y
Twist Pearlized	LF	50%	8	2	Y
Jazz	LF	20%	4	3	N
Capri Light	SS	10%	8	3	Y
Orlando	SS	10%	4	4	Y
Serenity Cellular	Honeycomb LF	50%	7	2	Y
Harmony Cellular	Honeycomb BO	100%	6	3	Y
Simplicity Cellular	Honeycomb BO	100%	3	3	Y