



Shadowspec

RETREATTM

The Wall Mounted Umbrella

OWNERS MANUAL

Operation, Care and Warranty

www.shadowspec.com

P02/23



shadowspec

umbrellas with distinction

Read your manual in full before assembling your umbrella.

To extend the life of your umbrella investment please read and follow the care instructions on a regular basis.

Thank you for your purchase, we appreciate it.
Enjoy the shade, courtesy of Shadowspec.

www.shadowspec.com



Table of Contents

Shadowspec Retreat™ Warranty 4

Shadowspec Retreat™ Care 7

Shadowspec Retreat™ Operation

Opening your Shadowspec Retreat™ 8

Tilting your Shadowspec Retreat™ 10

Extending your Shadowspec Retreat™ 11

Rotating your Shadowspec Retreat™ 11

Closing your Shadowspec Retreat™ 12

Shadowspec Retreat™ Protection Cover 14

Shadowspec Retreat™ Parts

Shadowspec Retreat™ Canopy Assembly 15

Shadowspec Retreat™ Arm Assembly & Wall Mount 15

Shadowspec Retreat™ Replacement Parts 16

Shadowspec Retreat™ Parts List 18

Shadowspec Retreat™ Warranty

Shadowspec guarantees that Shadowspec Retreat Umbrellas, installed in accordance with our guidelines will be free of defects in materials and workmanship for the period of time as set out and specified on this page.



Frame
Warranty



Fabric
Warranty

The obligation of Shadowspec under this warranty is limited to faulty manufacturing, defective materials and mechanical failure when your umbrella has been used and cared for appropriately from the date of invoice. If an umbrella is repaired under warranty, the warranty period will not be extended.

Shadowspec shall, at its sole discretion, determine whether repair or replacement is appropriate. This warranty does not cover the following:

- Damage caused by an accident, negligence, storm, wind, accumulation of water or snow, or caused by an act of God, incorrect installation, not following Shadowspecs Care and Maintenance Instructions, incorrect use or natural ageing and fading.
- Damage caused by exposure to hazardous atmospheric situations due to industry or a high slat level.
- Small colour variations between the fabric and the colour samples and between the components and profiles, which are caused by the manufacturing process.
- Damage by a third party.
- Repair by a third party.

Your Shadowspec Retreat Umbrella has been designed to handle all conditions in which people are comfortable relaxing outdoors, and more.

Our recommendation is when the weather outside is uncomfortable to sit down and relax in, you lower your umbrellas. This is subject to your umbrella being sufficiently anchored. To avoid possible wind damage, we recommend that your umbrella be closed in wind levels above this point (40kmh/25mph) to protect your investment and extend the useful life of your umbrella.

This warranty does protect against your umbrella Fabric Canopy becoming unserviceable due to strength loss from normal usage and exposure conditions.

The foregoing sets out the extent of this warranty.

Shadowspec shall not otherwise be liable or responsible for any direct, indirect, incidental or consequential damage, costs or losses of any kind arising out of or in connection with your umbrella or components or for any delay by Shadowspec or the component manufacturer in undertaking repairs or replacement under this warranty.

Except as expressly provided herein, all other warranties, representations, conditions, undertakings, rights, duties or liabilities, whether arising by implication of law or otherwise, are hereby expressly excluded.

If you need to enquire about a warranty claim, please either contact Shadowspec direct or the sales agent you purchased your Shadowspec Retreat from.

Please Note

In commercial applications, the Fabric and Frame warranty is 1 year.

'Fabric' warranty relates to your umbrella Fabric Canopy. Protection Cover warranty is 1 year.

Shadowspec Retreat™ Care

Look after your Shadowspec Retreat and it will look after you, here is our guide to umbrella care - please read and reach out to customercare@shadowspec.com for any questions or advice



Easy
Clean



Oil and Stain
Repellent



Eco-friendly
Production



UPF UV
Protection

**Open & Close the
Shadowspec Retreat**



Umbrella Care and Maintenance

Regular care and maintenance of your umbrella is essential. The following points will assist in keeping it looking smart and clean while also ensuring its ongoing performance and reliability.

- Always place the Protection Cover over the umbrella when not in use.
- Close and cover your umbrella in adverse conditions, this includes rain, snow, hail and high wind.
- Take care when opening or closing the umbrella, always check for obstacles first (ie: trees, ladders, furniture, people).
- Umbrella should never be left stored/collapsed for long periods while wet. Always ensure that the fabric is dried before storing or closing for long periods of time.
- Any early signs of mould or mildew must be removed.
- Umbrella canopy is removable and washable. Clean fabric using cold or warm water and mild natural soap. Always rinse and leave to dry in the open air – do not put in a clothes dryer.
- Never clean any part of the umbrella with a corrosive/abrasive product or a high pressure hose.
- Never use waterproofing or cleaning sprays on umbrella fabric without seeking appropriate advice first.
- All moving parts on the umbrella are best maintained with an annual application of dry lubricator, such as dry contact silicone spray.

Fabric Cleaning Instructions

Shadowspec Umbrella canopies should be cleaned often, before dirt is allowed to accumulate and become embedded in the fabric. The fabric canopy can be cleaned without being removed from the frame, however, the canopy can be removed from the frame if preferred. Brush off any loose dirt or particles, hose down and clean with a mild soap in lukewarm water, *no more than 37°C*. Rinse to remove soap. Allow fabric to air dry.

Do not use heavy detergents.

For stubborn stains, '**303' Fabric Cleaner** is recommended although as with any cleaner, it is advisable to trial a small area of the fabric first to ensure no adverse effect or discolouration occurs.

Following cleaning it is also then advisable to re-treat the fabric with a water repellency application again. We recommend '**303' Protectant** for this purpose.

When washing or cleaning, **do not subject to excessive heat** as the fabric will shrink. **Do not steam press or dry in electric or gas dryers** but allow to air dry.

In cases where the Shadowspec Retreat is taken down and stored during the winter season, the canopy should be cleaned, allowed to air dry, and stored in a dry, well ventilated area. A Protection Cover should be used at all times when umbrella is not in use to ensure the longest serviceable life.

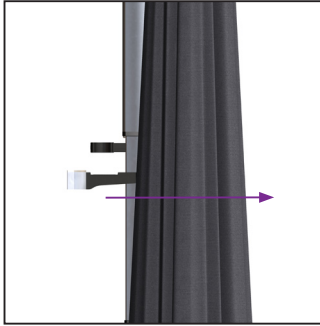
Shadowspec Retreat™ Operation

Opening Your Shadowspec Retreat™

1. From the closed position



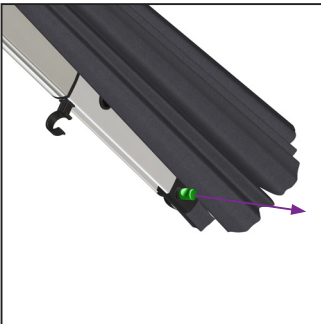
2. Pull Retreat out from the Arm Retainer



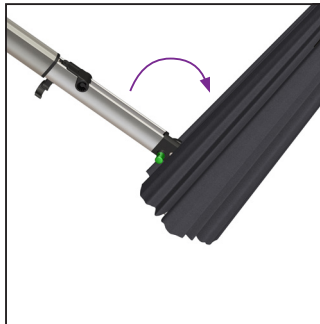
3. Push the Retreat Arm into the 45° position



4. Pull the Claw Pin



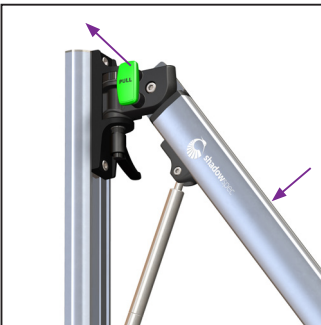
5. Rotate the Canopy 90° away from the Retreat Arm



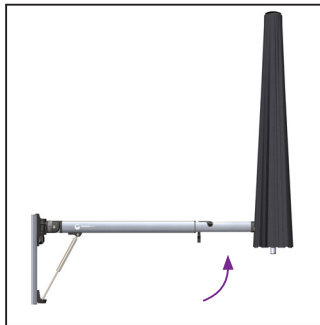
6. Your Retreat will be in the ready-to-deploy position



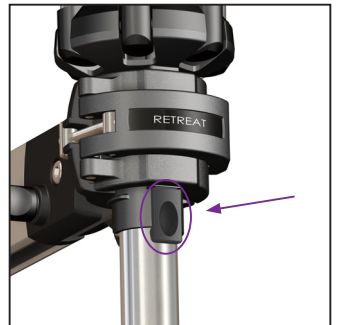
7. Push down the Retreat Arm & pull the Shoulder Locking Pin



8. Allow the arm to swing into the parallel position.

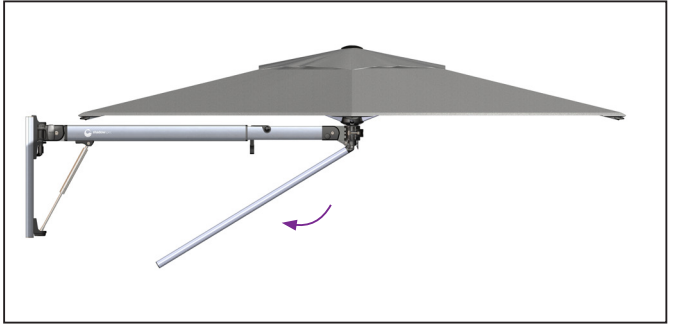
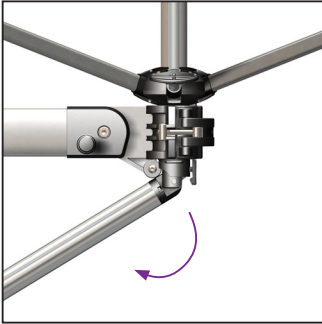


9. Push the Claw Lock Button

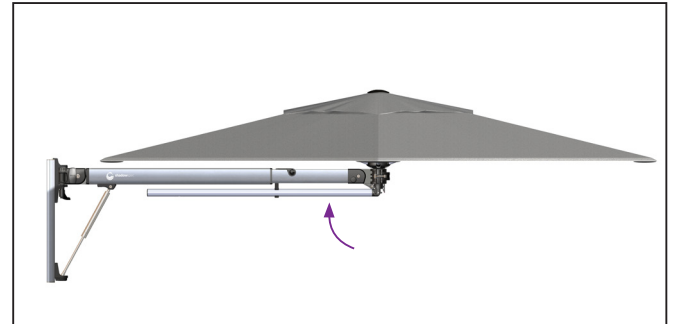
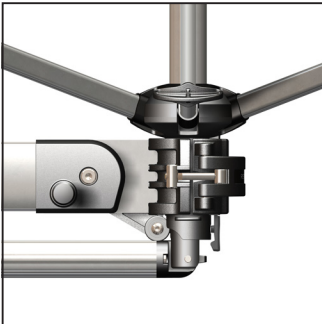




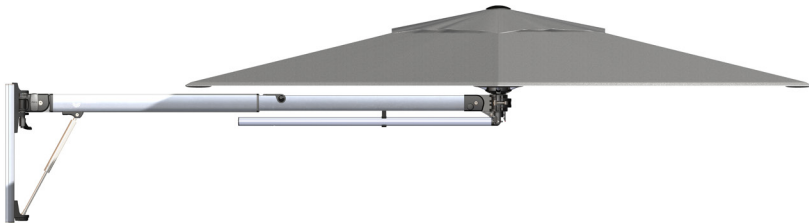
10. With care, pull the Lower Pole down as far as it will go and then pivot back-towards the wall, using the Shadowcam Wheel to ease the rotation



11. As the Lower Pole becomes parallel with with Retreat Arm clip it into the C-Clip.



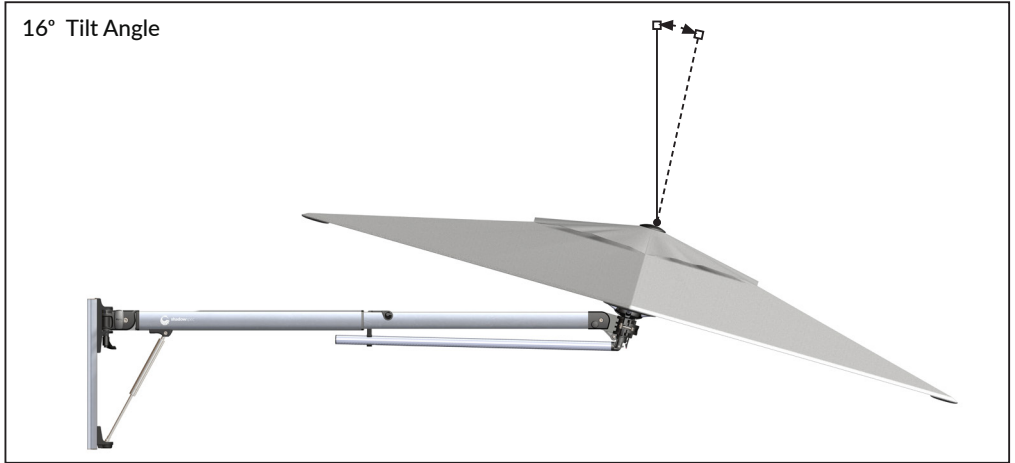
12. Enjoy your Shadowspec Retreat™



Shadowspec Retreat™ Operation

Tilting your Shadowspec Retreat™

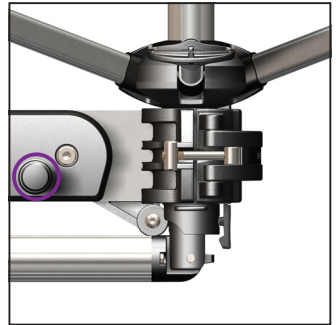
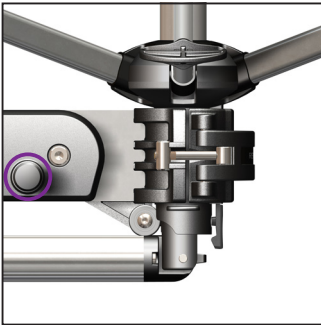
Your Shadowspec Retreat™ has the ability to tilt to follow the sun. The Retreat will tilt 16 degrees forward along the Claw Axis. You can use this in combination with the Rotation Function to enhance your shade coverage any time of the day.



1. Pull the Claw Pin

2. With care, tilt the canopy forward

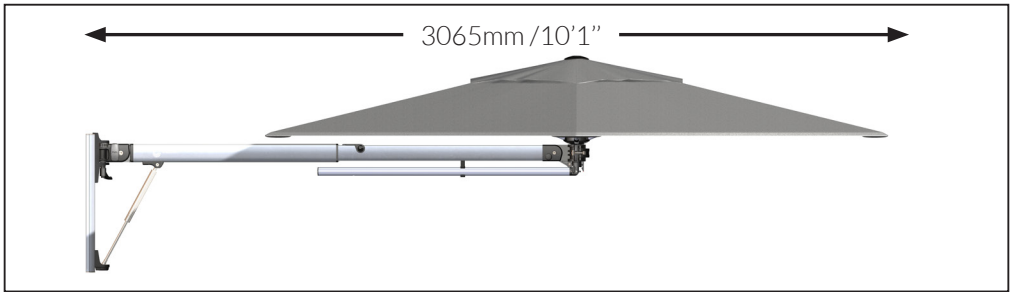
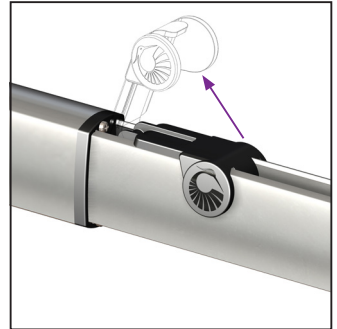
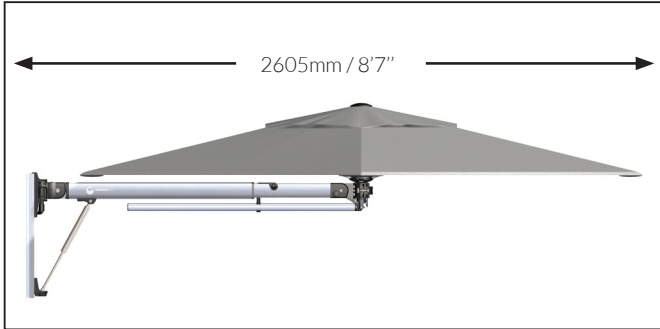
3. Reverse process to return the Retreat to the Parallel setting





Extending your Shadowspec Retreat™

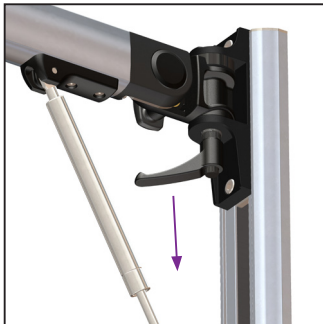
Your Shadowspec Retreat can extend an additional 460mm from the wall. This enables a wider rotation angle when the umbrella is mounted against a wall.



Rotating your Shadowspec Retreat™

Your Shadowspec Retreat™ can rotate around your wall or post depending on your setting. A wall mounted Retreat will rotate 45° and a post mounted Retreat will rotate 175°

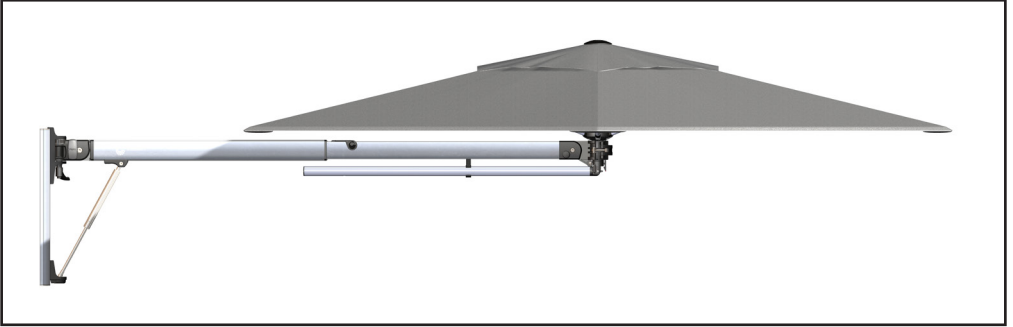
1. Pull down the Rotation Lock Lever & turn counter-clockwise
2. With care, rotate the Retreat arm to the desired position
3. Return to the square position before putting your Retreat away



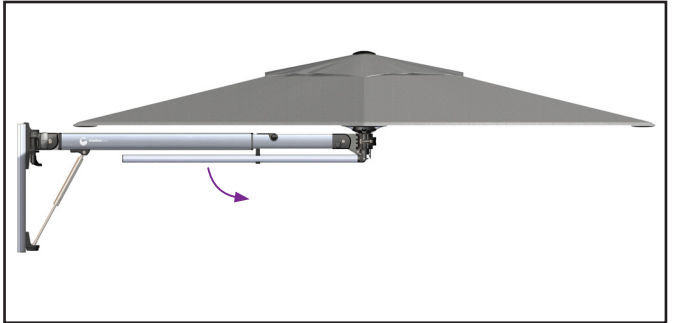
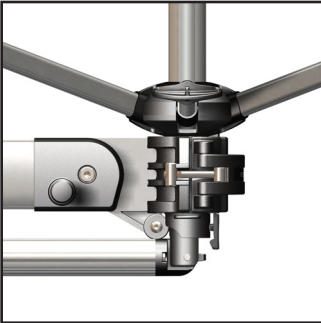
Shadowspec Retreat™ Operation

Closing your Shadowspec Retreat™

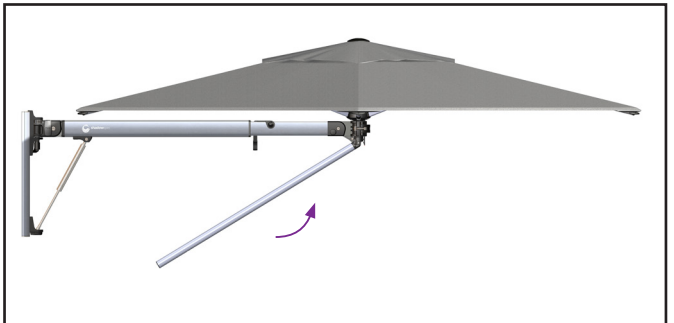
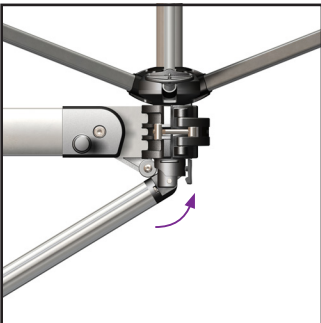
1. Return your Retreat to the default position, extension, rotation and tilt.



2. Unclip the Lower Pole from the C-Clip



3. Pivot the Pole downward until it is upright / 90°





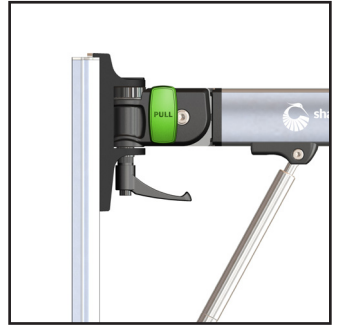
4. Push the Claw Lock Button



5. Push the Lower Pole upward



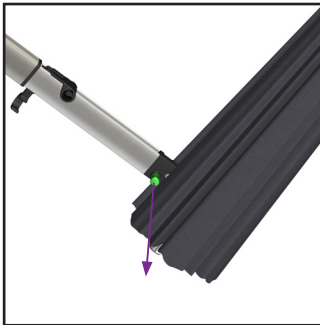
6. Pull the Shoulder Lock Pin out



7. Return the Retreat Arm to the 45° position



8. Pull the Claw Lock Pin



9. Pivot the Canopy Frame 90° to its original position



10. With care, push the Retreat downward



11. Click your Retreat into the Bottom Catch Bracket



Shadowspec Retreat™ Protection Cover

Shadowspec Retreat™ Canopy Assembly

Your Shadowspec Retreat™ is supplied with a Protection Cover to extend the life of your umbrella.

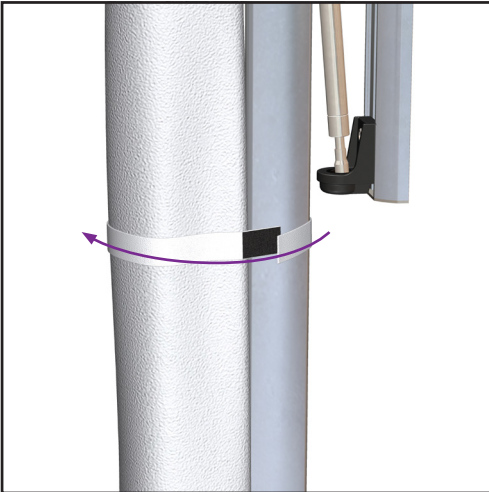
1. Ensure your canopy isn't pinched in the arms



2. Slide the Retreat Protection Cover Down



3. Wrap Strap around the Retreat Arm to Secure



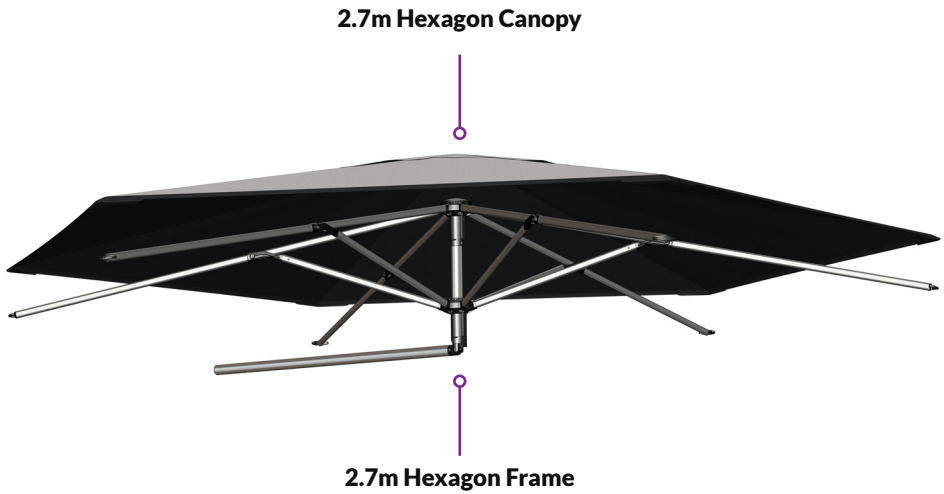
4. The Retreat with Protection Cover



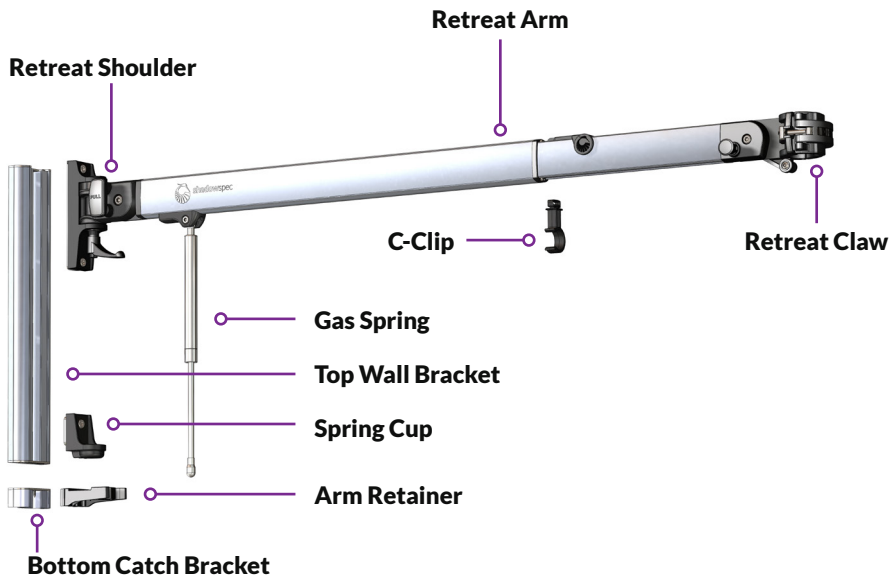
NOTE: If you are packing down for the winter disengage the Gas Spring



Shadowspec Retreat™ Canopy Assembly

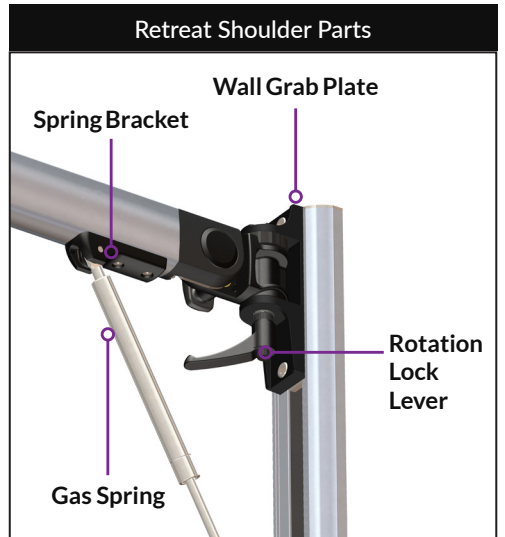
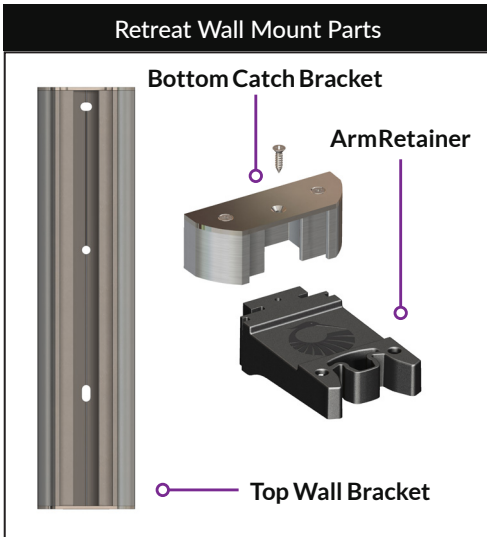
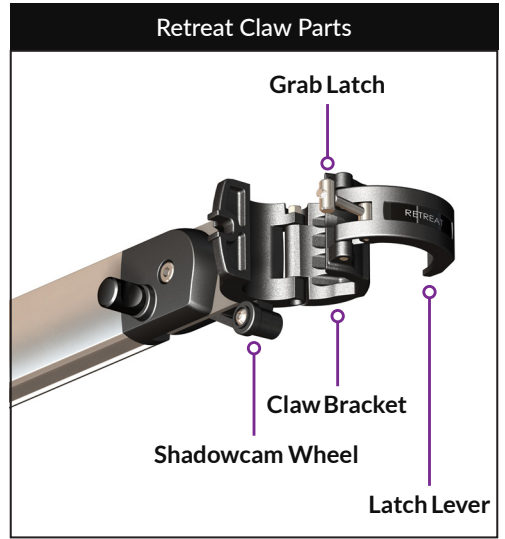
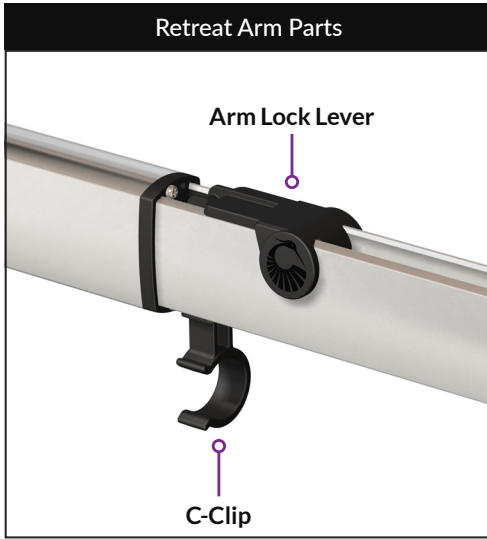


Shadowspec Retreat™ Arm Assembly & Wall Mount



Shadowspec Retreat™ Parts

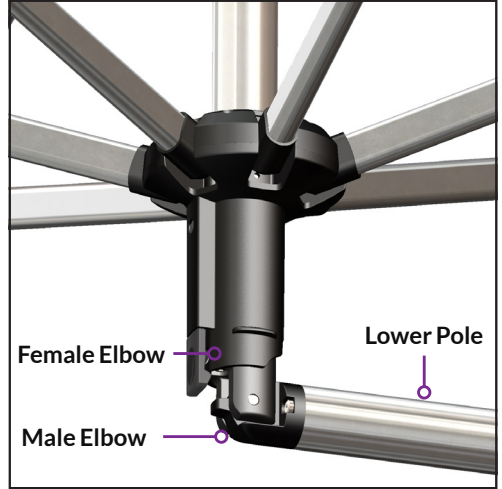
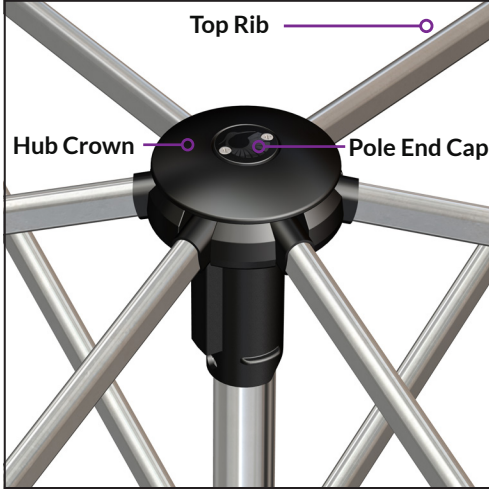
Replacement Parts - Arm & Mount



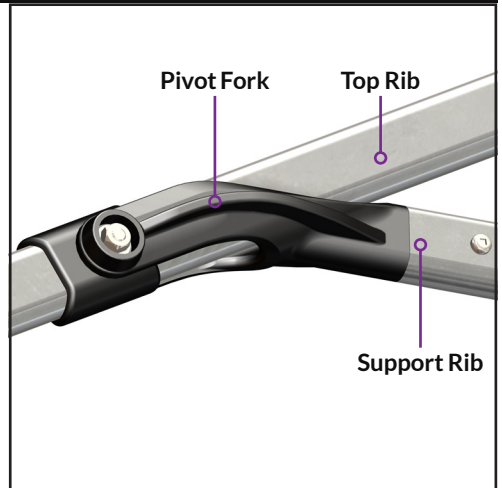
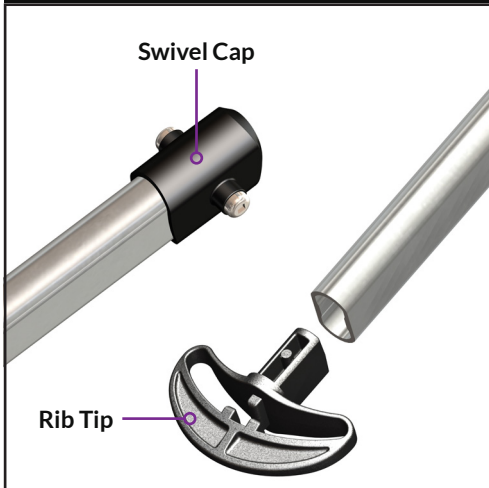


Replacement Parts - Hub & Ribs

Top & Bottom Hub Replacement Parts



Rib Replacement Parts



Shadowspec Retreat™ Parts

Reference information for individual parts of your Shadowspec Retreat umbrella.

To order replacement parts contact:

customer@shadowspec.com

Umbrella Location	Part Name	Code
Wall Mount	Top Wall Bracket	UM110503
	Bottom Catch Bracket	UM110525
	Arm Retainer	UM110504
Retreat Shoulder	Wall Grab Plate	UM110501
	Spring Bracket	UM110740
	Gas Spring	UM210369
	Rotation Lock Lever	UM210073
Retreat Ribs	Top Rib	UM110442
	Support Rib	UM110446
	Pivot Fork	UM110448
	Swivel Cap	UM110443
	Rib Tip	UM110447
Retreat Protection Cover	Protection Cover	UM110723



Umbrella Location	Part Name	Code
Umbrella Frame	2.7m Hexagon Canopy	UM110725
	2.7m Hexagon Frame	UM010046
Arm Assembly	Retreat Arm	UM110502
	C-Clip	UM110502
	Gas Spring	UM110504
Wall Mount	Top Wall Bracket	UM110466
	Spring Cup	UM110739
	Arm Retainer	UM110504
	Bottom Catch Bracket	UM110466
Retreat Arm	Arm Lock Lever	UM110478
Retreat Claw	Grab Latch	UM110514
	Claw Bracket	UM110511
	Shadowcam Wheel	UM110521
	Latch Lever	UM110512
Top Hub	Top Rib	UM110442
	Hub Crown	UM110463
	Pole End Cap	UM110455
Bottom Hub	Female Elbow	UM110452
	Male Elbow	UM110453
	Lower Pole	UM110451



shadowspec

umbrellas with distinction

Contact our in-house shade and outdoor specialists
for more information and advice.

AUSTRALIA

Australian Nest
Melbourne Victoria
1800 144 155

www.shadowspec.com.au

NEW ZEALAND

Heron Base
Whangarei, Northland
0800 144 155

www.shadowspec.co.nz

UNITED STATES

North American Nest
Houston, Texas
844 888 5577

www.shadowspec.com

**Open & Close the
Shadowspec Retreat**

